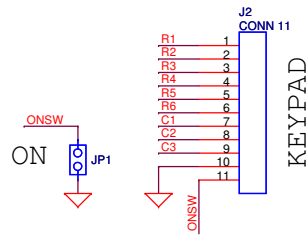
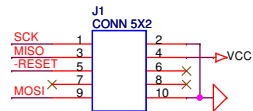
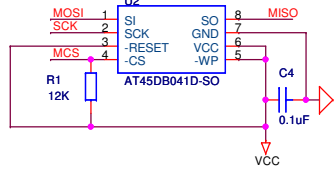


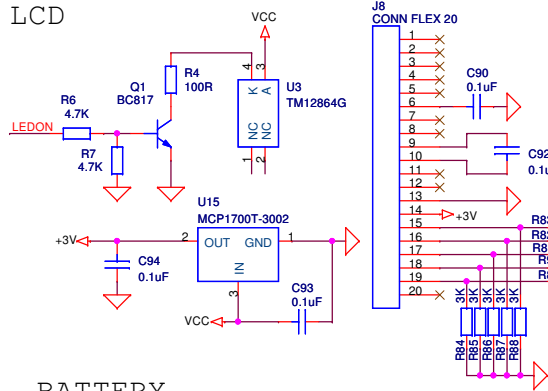
PROG



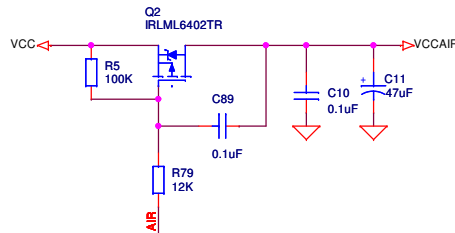
SERIAL MEMORY



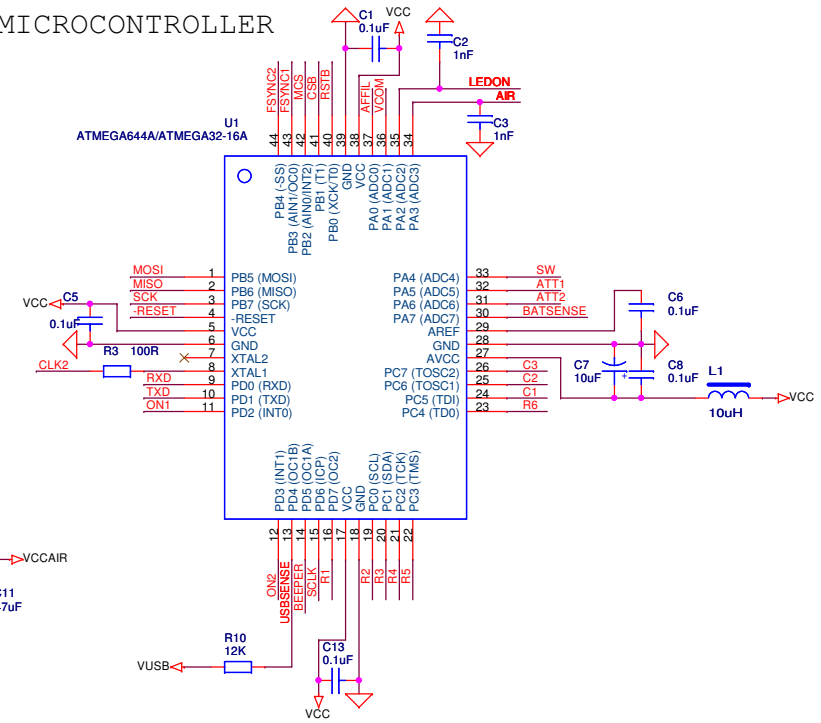
LCD



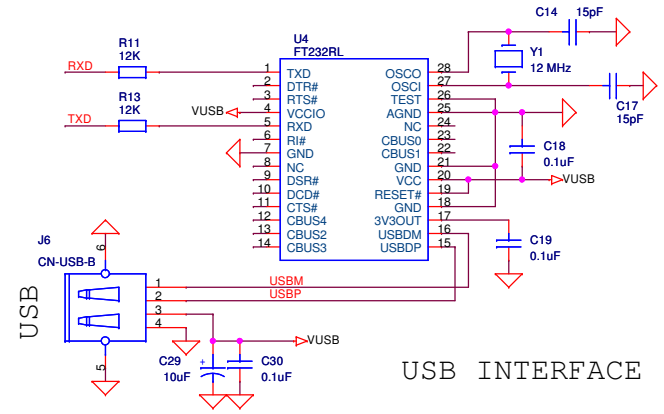
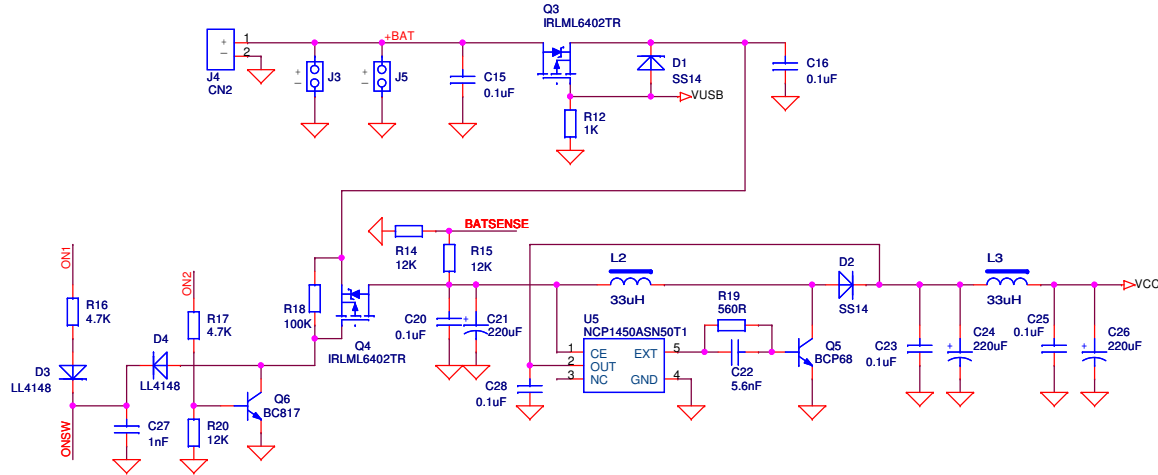
POWER CIRCUITS



MICROCONTROLLER



BATTERY



AA-30 rev.C: U1 = ATMEGA32-16A, not installed: C4, R1, U2

AA-54 rev.C: U1 = ATMEGA644A

Not installed in both models: C14, C17, J1, JP1, J5, Y1

Rig Expert Ukraine Ltd.			
Title RigExpert AA-30/AA-54 v.1.5.1 (rev.C)			
Size A3	Document Number	REU.RMHF15	Rev 1
Date: Friday, January 14, 2011	Sheet 1 of 3		